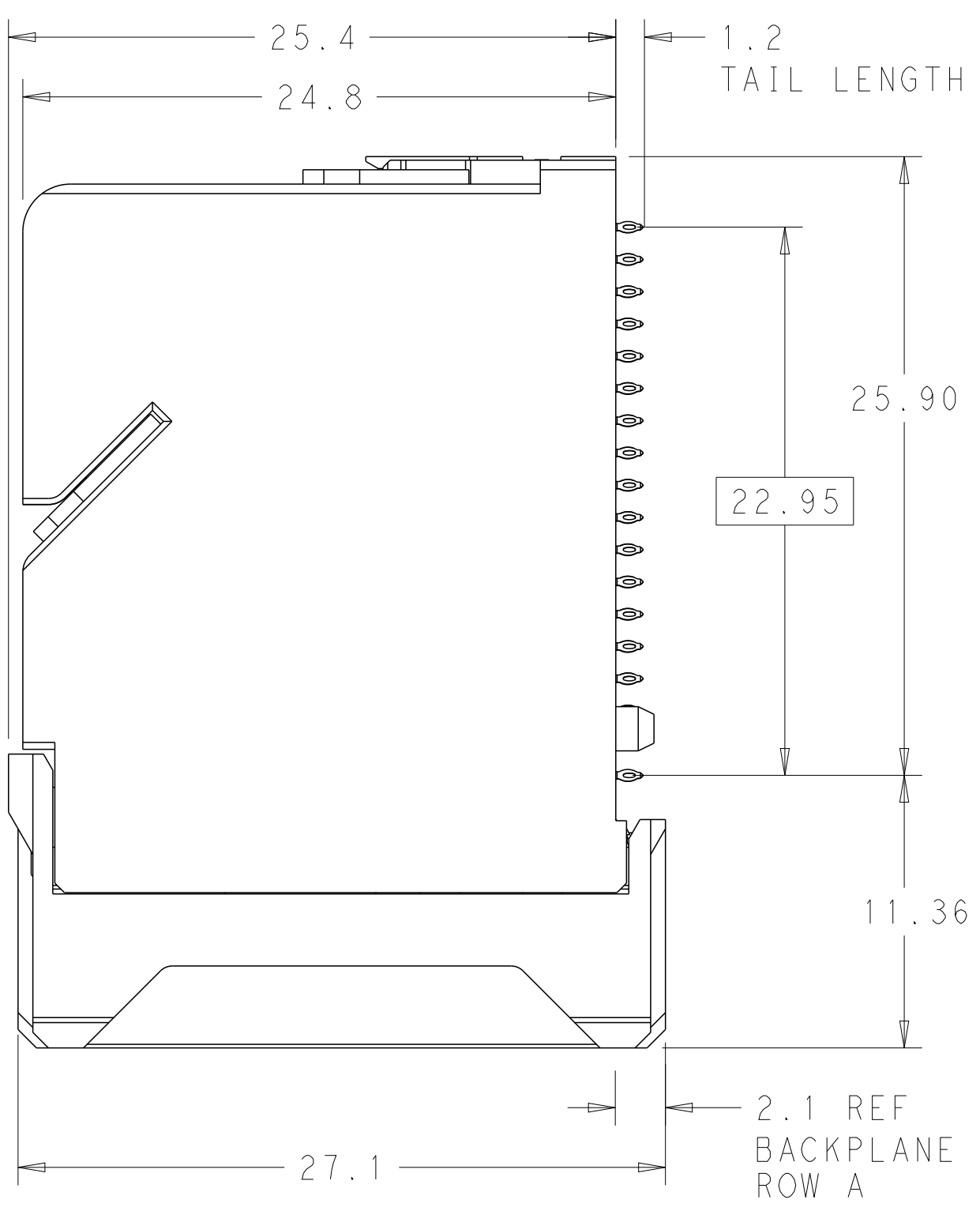
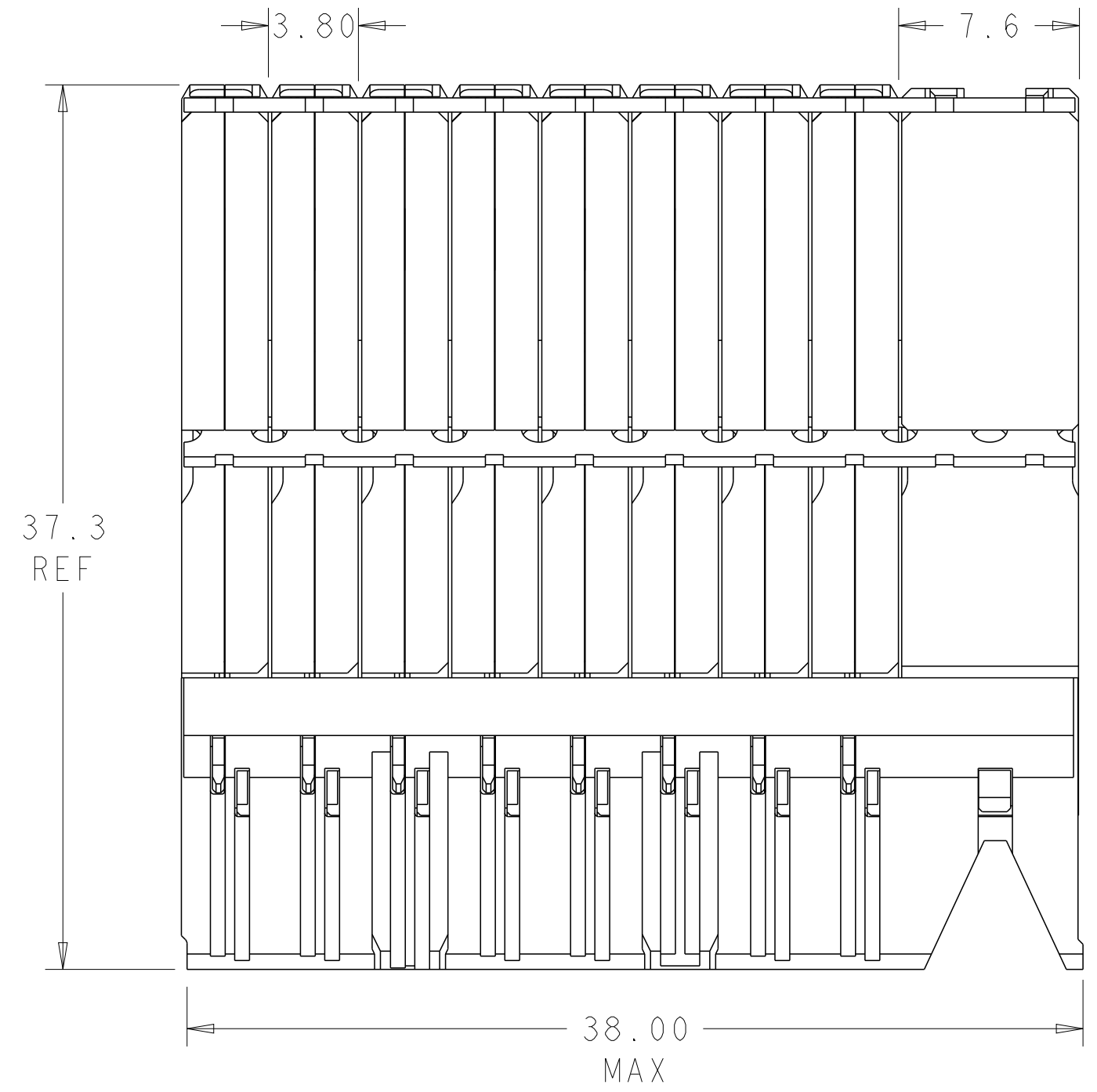
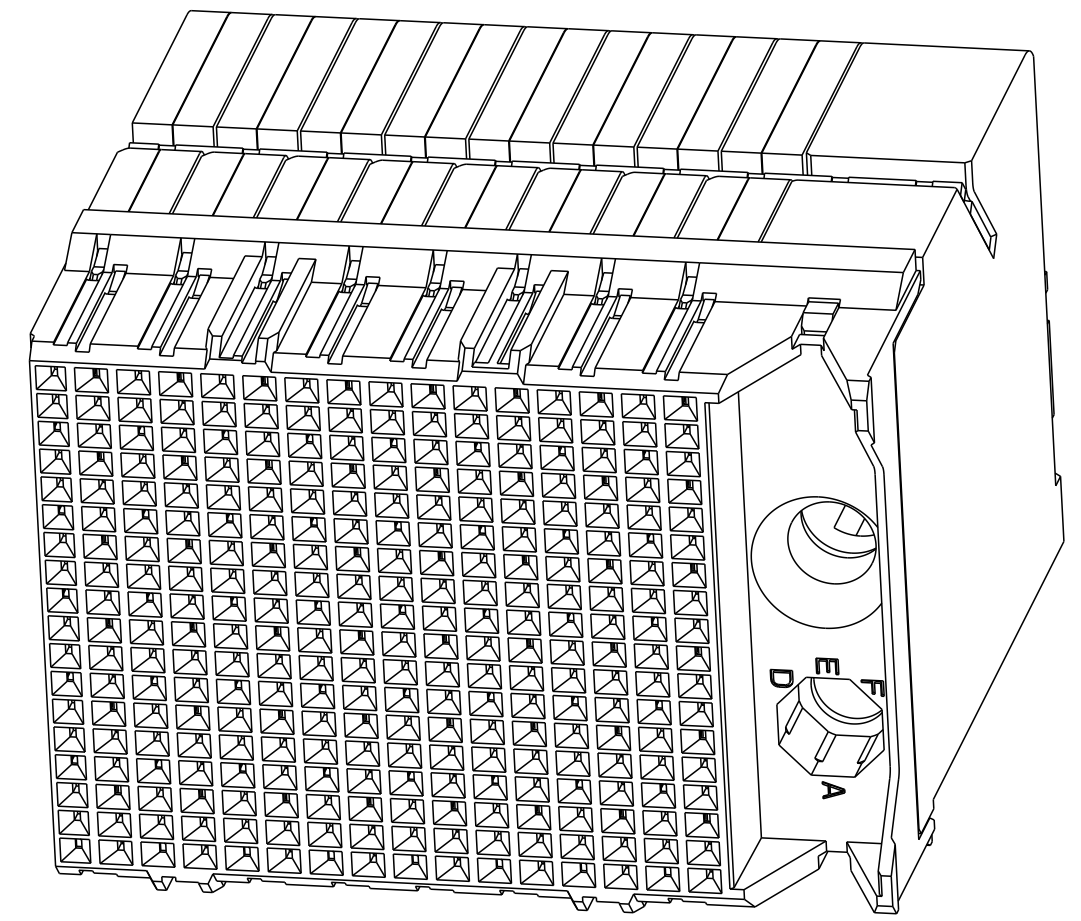


REVISIONS				
P.	LTN.	DESCRIPTION	DATE	APVD.
E		REVISED PER ECO-15-012351	03SEP2015	AP SY

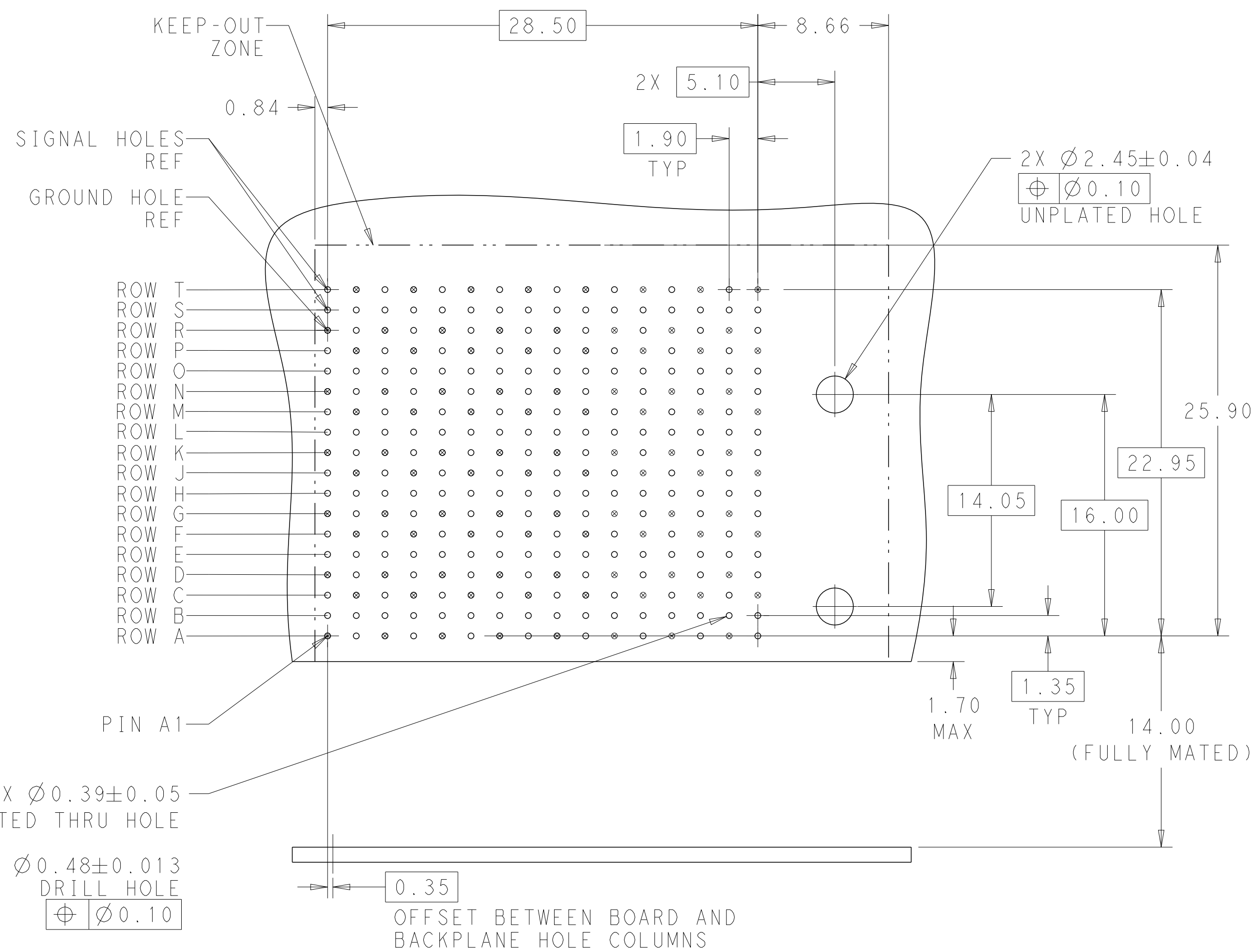
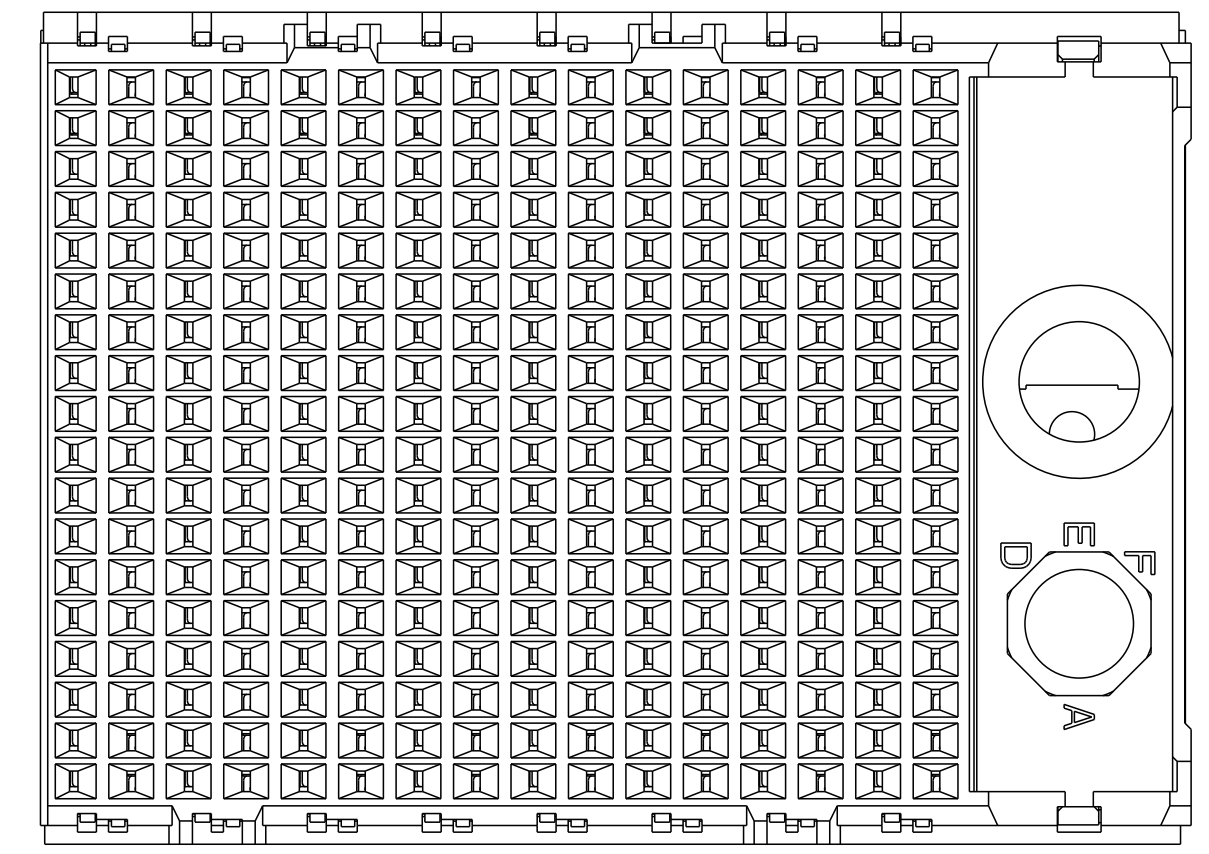


- ⚠ MATERIAL:  
HOUSING: LCP, GLASS FILLED, UL94V-0.  
TERMINALS: HIGH PERFORMANCE COPPER ALLOY.
- ⚠ FINISH:  
30μ" SELECTIVE GOLD IN CONTACT AREA. SELECTIVE TIN ON PCB TAILS, NICKEL OVERALL.
- 3. CONNECTORS SUPPLIED WITH MOUNTING SCREWS.



SCALE 3:1

REFER TO WWW.TE.COM FOR PRODUCT AVAILABILITY



KEY POSITION CHART	
	NONE
	A
	B
	C
	D
	E
	F
	G
	H

H	⚠	8-2007746-1
G	⚠	7-2007746-1
F	⚠	6-2007746-1
E	⚠	5-2007746-1
D	⚠	4-2007746-1
C	⚠	3-2007746-1
B	⚠	2-2007746-1
A	⚠	1-2007746-1
NONE	⚠	2007746-1
KEY POSITION	FINISH	PART NUMBER

THIS DRAWING IS A CONTROLLED DOCUMENT.

DIMENSIONS:	TOLERANCES UNLESS OTHERWISE SPECIFIED:	OWN J. K. SHOBER 07MAR2011	NAME
mm	0 PLC ±	CHK D. DIXON 07MAR2011	IMPACT, 6 PAIR, DAUGHTERCARD
	1 PLC ±0.2	APVD D. DIXON 07MAR2011	PRODUCT SPEC
	2 PLC ±0.13		APPLICATION SPEC
	3 PLC ±		SIZE CAGE CODE DRAWING NO RESTRICTED TO
	4 PLC ±		A100779C=2007746
	ANGLES ±		Customer Drawing
MATERIAL	FINISH	WEIGHT	SCALE 4:1 SHEET 1 OF 1 REV E
	SEE TABLE		